

# MaxMotion

## IEC PERFORMANCE DATA SHEET IEC Efficiency Level IE3

Catalog #: **IJA2112M-2-46**

HP	kW	Voltage	L.R. Amps	Efficiency	Power Factor	Service Factor	Frame	Design
5,50	4,10	230 / 460	53,12	88,5%	0,88	1,15	112M	N

60 Hz								
FLA							Is/In	F.L. RPM
208	230	333	460	575	796	990		
/	12,90	/	6,40	/	/	/	8,3	3485

50 Hz								
FLA						Efficiency	Is/In	F.L. RPM
190	380	400	415	660	725			
15,62	7,81	7,42	7,15	/	/	88,1%	8,3	2905

Wgt. Lbs	PH	Duty	Insul. Class	Ambient Temp.	Elevation	Temp. Rise° C
63,9	3	S1	H	40°C	1000 M	33

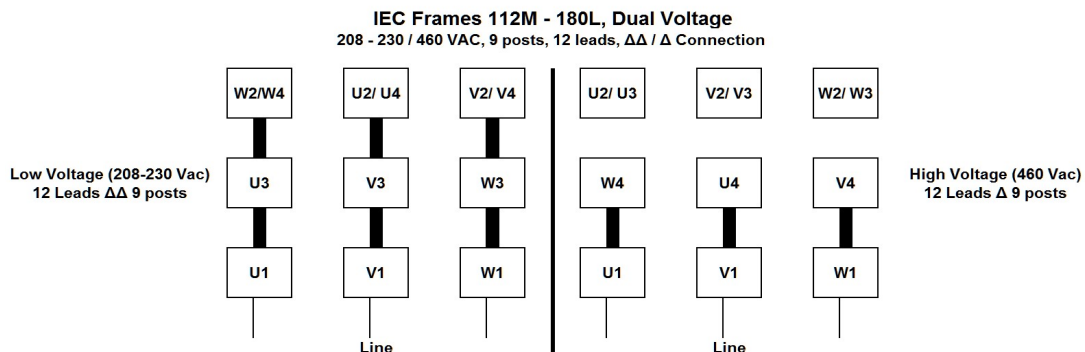
% Efficiency		% Power Factor		Torque			Protector Type	Winding Resist. Ω
Full Load:	88,5%	Full Load:	0,88	FLT ft.lbs	60Hz	50Hz		
3/4 Load:	88,1%	3/4 Load:	0,84	LRT %	220	230	-	-
1/2 Load:	86,3%	1/2 Load:	0,73	BDT %	230	230	-	-

Rotor Inertia Wk2 Lb-Ft2	Max Load Inertia Wk2 Lb-Ft2	Shaft Material	Frame Material	DE Bracket Type	ODE Bracket Type	Mounting	Enclosure	Protection
-	-	Standard	Aluminum	Standard	Standard	B3	TEFC	IP55

Ball Bearings		Grease	Mount Type	Orientation	Cold Start (Secs)	Paint
DE	ODE					
6306ZZ-C3	6306ZZ-C3	Sealed Bearings	Rigid	Horizontal	15	Red

Inverter Duty. Motor meets MG1 parts 31.4.4.2	Constant Torque Range	Variable Torque Range
	10:1	20:1

**WIRING CONNECTION DIAGRAM : C**





Date: **25 janvier, 2024**  
 Customer: \_\_\_\_\_  
 Contact: \_\_\_\_\_  
 Submittee: **J.C. Lavallée**

Catalogue #: **IJA2112M-2-46**

IEC Efficiency Level IE3											
HP	Kw	VAC	RPM	Enclosure	Frame	Frequency	Design	Poles	LR Is/In	Insulation Class	Temp. Rise °C
5,50	4,10	230 / 460	3485	TEFC	112M	60	N	2	8,3	H	33

Load %	0%	25%	50%	75%	100%	125%	150%
Amps	5,17	5,17	5,66	5,91	6,40	7,38	9,35
Torq ft/lbs	0	2,02	4,08	6,17	8,29	10,80	13,88
RPM	0	3571	3543	3514	3485	3342	3123
Eff %	0	64,6	86,3	88,1	88,5	86,2	79,2
PF %	0	40,2	73,0	84,0	88,0	90,6	92,4

	Locked Rotor	Pull-Up	Breakdown	Rated Load	Idle	Duty	S. F.	Ambient	Elevation	dBA @ 1M
Speed (RPM)	0	1620	2700	3485	3600	S1	1,15	40°C	3,300 ft	-
Current (Amps)	53,12	42,50	29,75	6,40	5,17	<b>VFD Rating: Meets MG1 parts 31.4.4.2</b>				
Torque (ft-lbs)	18,24	15,50	19,06	8,29	0,0	CT :	10:1	VT :	20:1	

